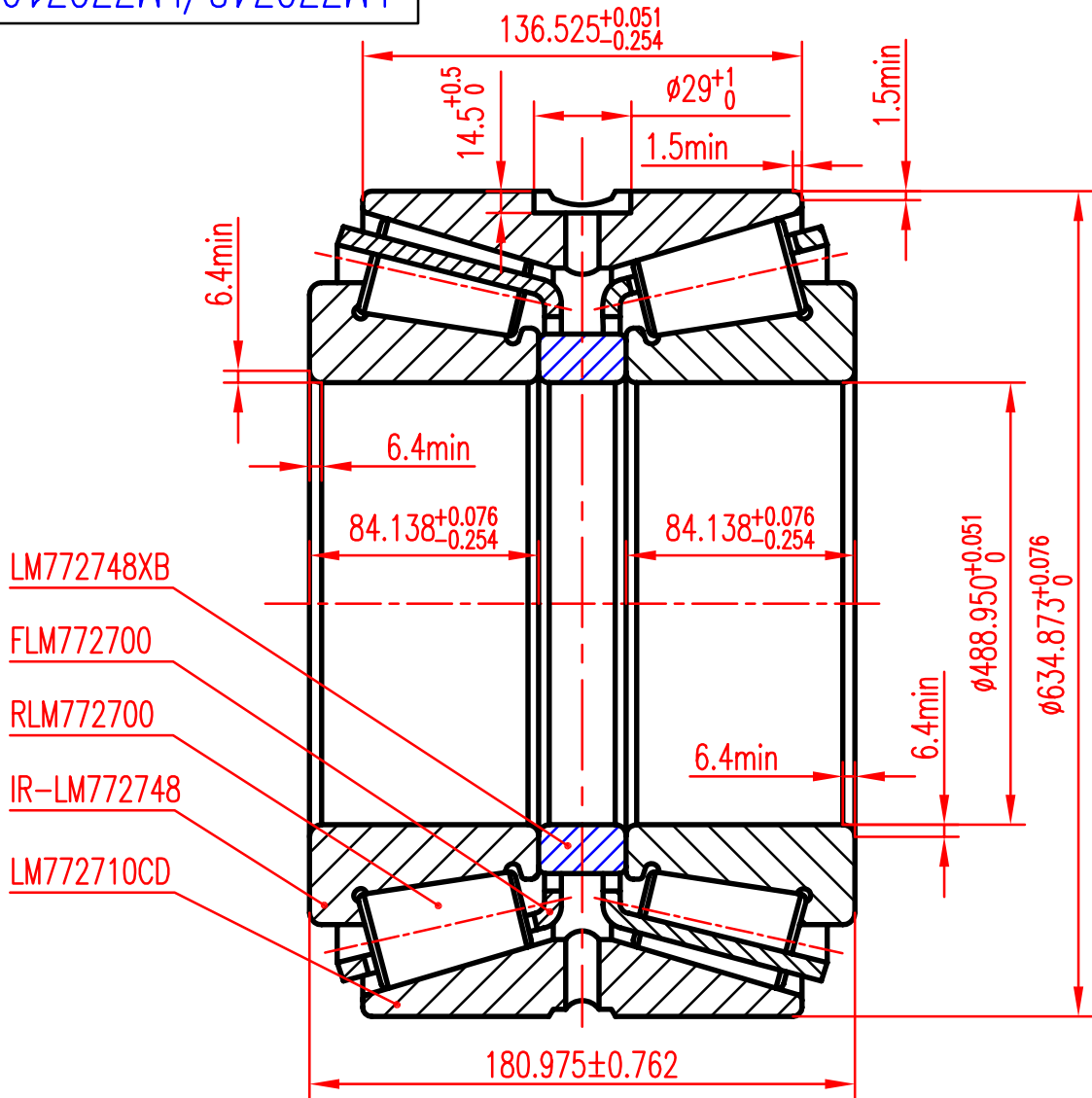


LM772748/LM772710CD



1. RATED LOAD: Cr= 2700 KN, Cor= 7750 KN;
2. AXIAL INTERNAL CLEARANCE: 0.70 ~ 0.90 mm;
3. SHAPE LOCATION TOLERANCE SHOULD BE TO CURRENT STANDARD;
4. MARK "XLB DATE LM772748" ON INNER RING SURFACE,
MARK "XLB DATE LM772710CD" ON OUTER RING SURFACE.

LM772748XB	INNER SPACER	1	45-GB/T699		1.71	
FLM772700	CAGE	2	08AI-GB3275	4.06	8.12	
RLM772700	ROLLER	2x44	GCr15SiMn-GB/18254	0.416	36.6	
IR-LM772748	INNER RING	2	GCr15SiMn-GB/18254	21.3	42.6	
LM772710CD	DOUBLE OUTER RING	1	GCr15SiMn-GB/18254		43.1	
NO.	NAME	Q'TY	MATERIAL	UNIT GROSS		ATTENTION
				WEIGHT (kg)		
DOUBLE-ROW TAPERED ROLLER BEARING (Inch Series)				LM772748/LM772710CD		
				WEIGHT (kg)		SCALE
				132		
				TOTALPAGE		PAGE
				6		1
				XLBearings		
XLB7510SN	CHECK	RUWEI	2007.06.25			
XLB-3-6061	CONFIRM	SHUYAN	2007.06.25			
DRAWING NO.						